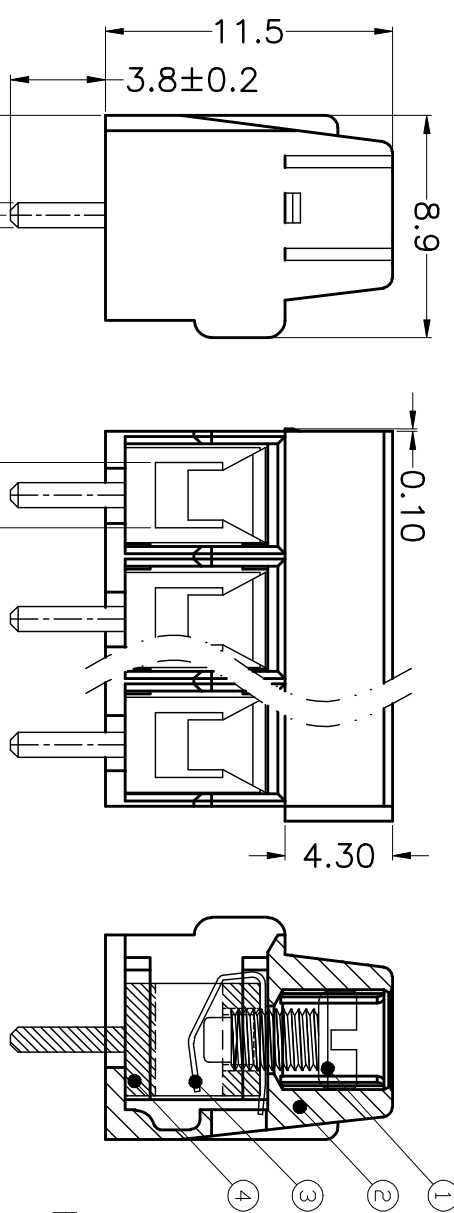
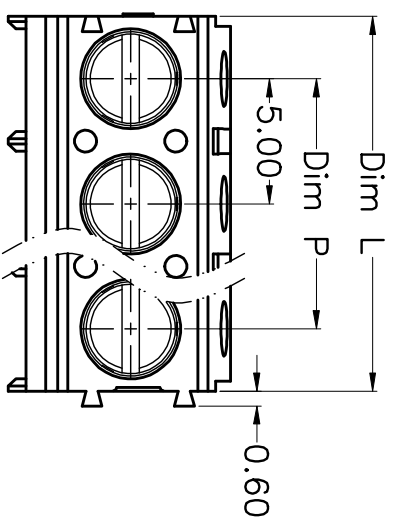
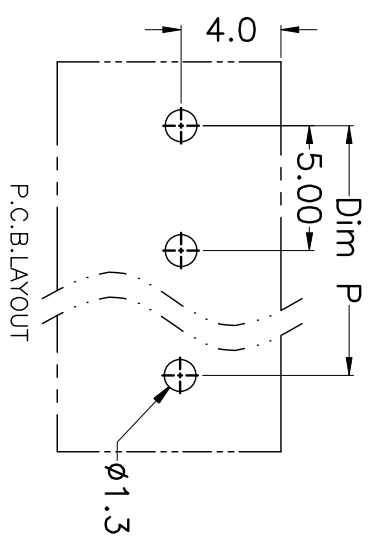


REV.	DESCRIPTION	DATE	DRAWN	APPROVED
A1	DWG.REL	2016/10/7	FANG	YANG



N=Number of Poles
Dim P=(N-1)×5.00
Dim L=N×5.00

Poles	Dim P	Dim L
2-6P	±0.10	±0.15
7-12P	±0.20	±0.20
13-18P	±0.25	±0.30
19-24P	±0.30	±0.40



GENERAL TOLERANCE	ANGLE TOLERANCE
X. ±0.5	X. ±5°
.X ±0.3	.X ±3'
.XX ±0.1	.XX ±1'

DRAWING TYPE	CUSTOMER	SHEET	OF
SCALE	1:1	1	1

DRAWING NO. XP0012016-xxxx

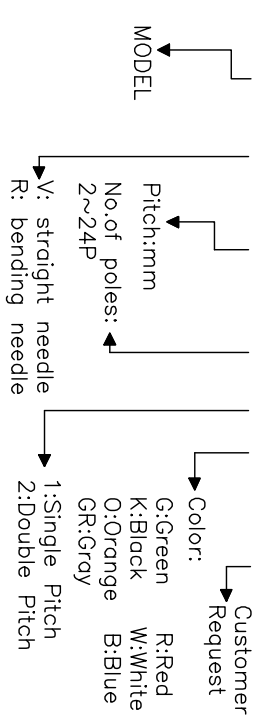
- Material
 @Screws : M2.5 steel, Zinc plated,
 “-” slot type
 @Housing : PA66, UL94V-0
 @Reed : Phosphor bronze, Ni plated
 or stainless steel
 @Pin header : Brass, Tin plated

- Electrical UL IEC
 Rated voltage : 300V 250V
 Rated current : 10A 25A
 Insulation resistance: 500MΩ/DC500V
 Withstanding Voltage : AC2000V/1min
 Wire range: 26-14AWG 2.5mm²

- Mechanical
 Operating temperature: -40°C~+105°C
 Soldering temperature: 250°C±5/5sec
 Torque: 0.4N.m (3.54Lb.in)
 Strip length: 5-6m

HOW TO ORDER

KF170V -5.0-XXP-1 X-XXXXX



PROJECTION	TITLE
UNITS mm	KF170V-5.0-XXP
SHEET SIZE A4	SERIES KF170V

KF 慈溪市凯峰电子有限公司
 KAIFENG ELECTRONIC CIXI KAIFENG ELECTRONIC CO.,LTD