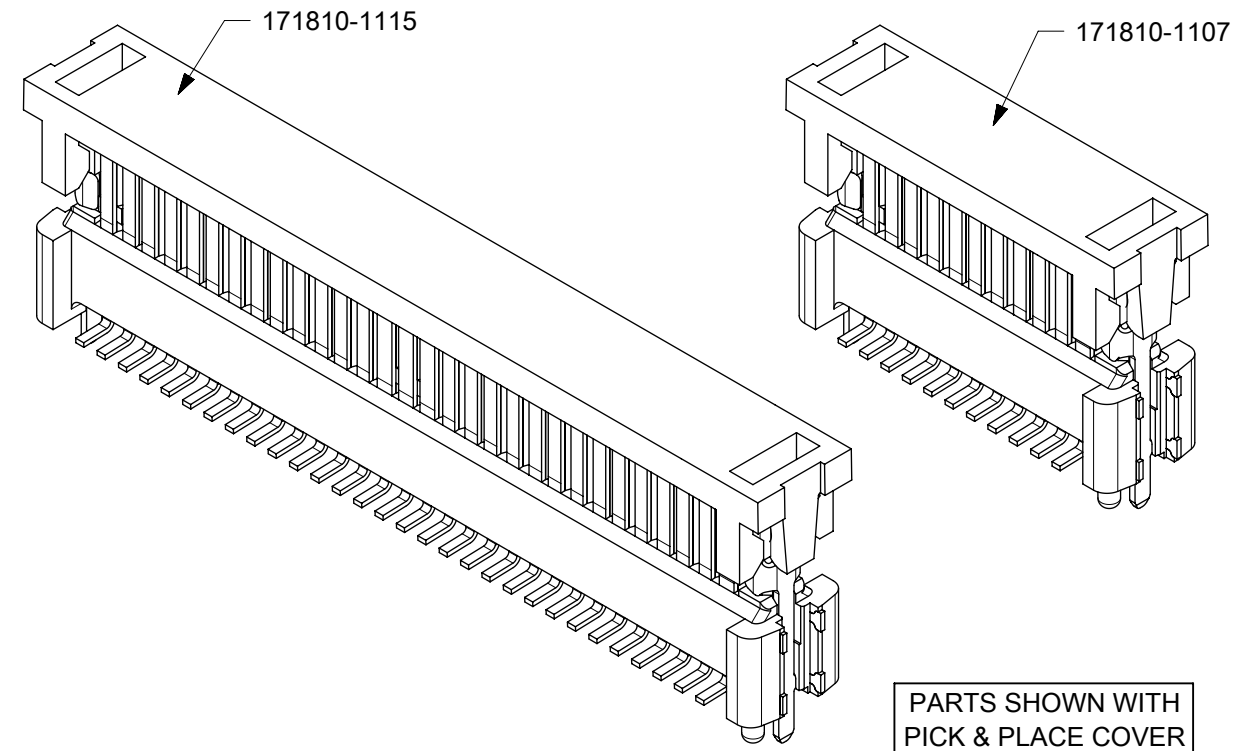
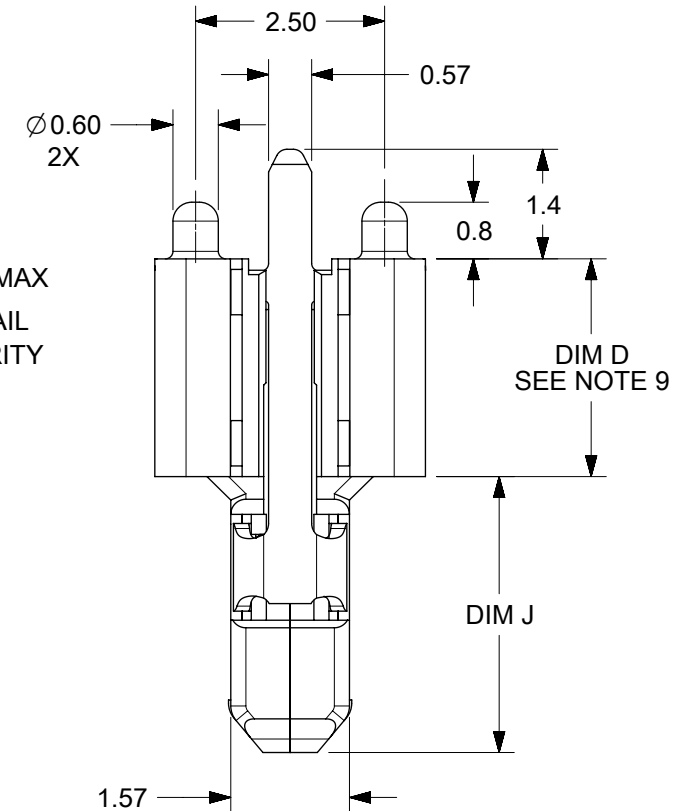
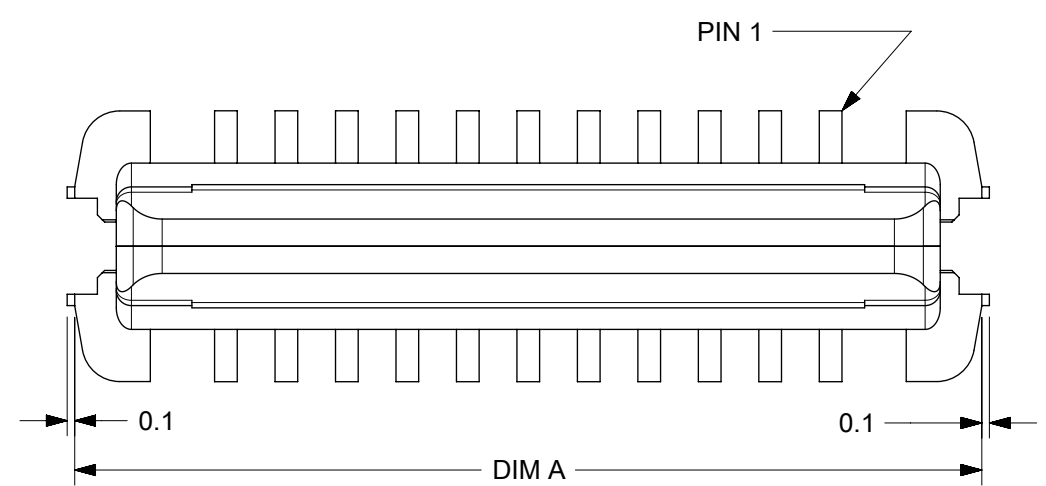


0.10 MAX
SOLDER TAIL
COPLANARITY



PARTS SHOWN WITH
PICK & PLACE COVER

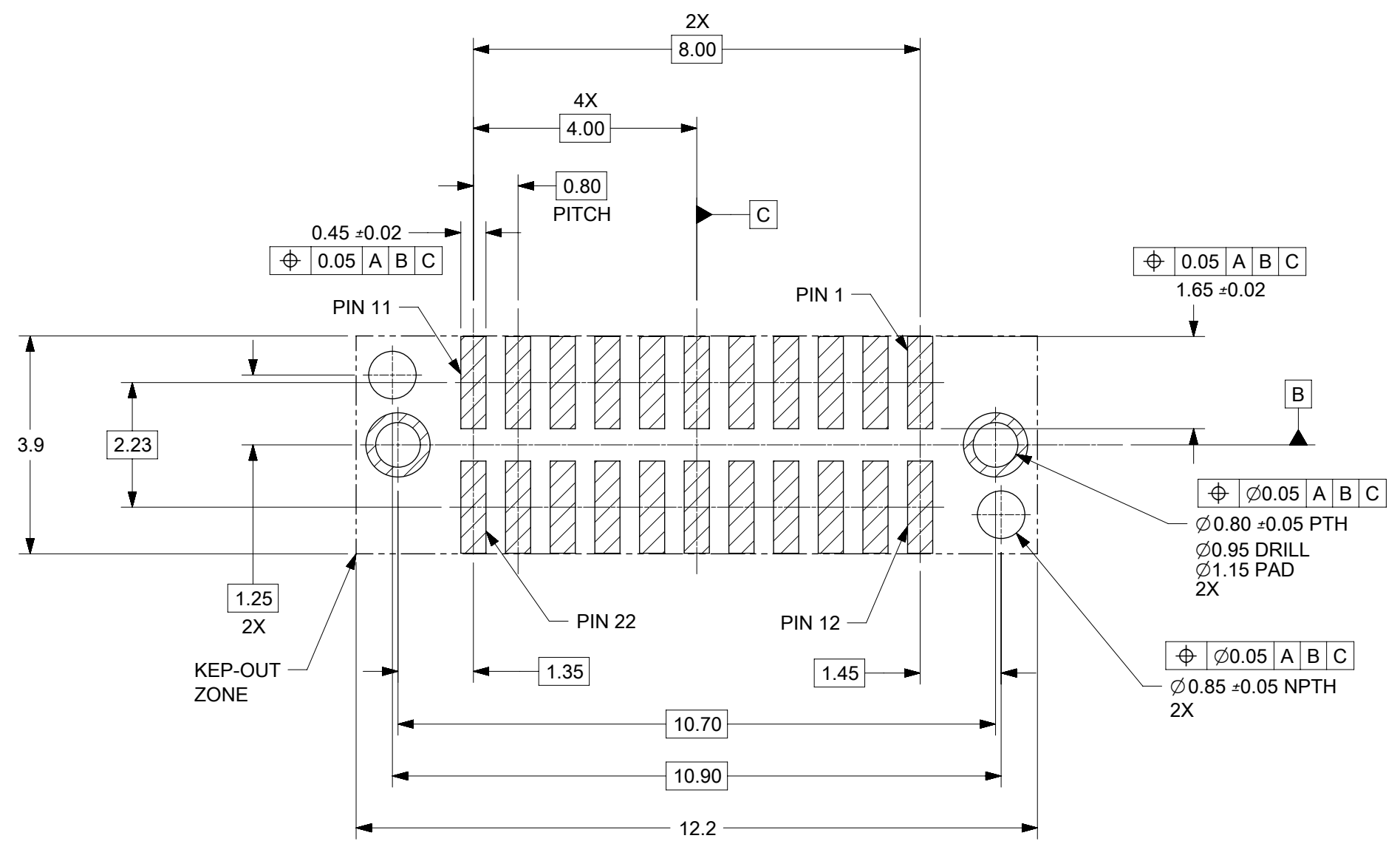


PART NUMBER	CKT SIZE	DIFF PAIRS	SPARE CKTS	DIM A	DIM B	DIM C	DIM D	DIM J
171810-1101	22	6	2	12.0	10.90	10.70	0.90	2.6
171810-1102							1.90	
171810-1103							2.90	
171810-1104							3.90	3.6
171810-1105							0.90	
171810-1106							1.90	
171810-1107							2.90	
171810-1108							3.90	
171810-1109							60	16
171810-1110	1.90							
171810-1111	2.90							
171810-1112	3.90	3.6						
171810-1113	0.90							
171810-1114	1.90							
171810-1115	2.90							
171810-1116	3.90							

- NOTES:
- MATERIALS: HOUSING: LCP, UL94V-0, BLACK
CONTACTS: HIGH PERFORMANCE COPPER ALLOY
 - FINISH: 0.76 μm MIN SELECT GOLD IN CONTACT AREA
SELECT MATTE TIN IN TAIL AREA, OVERALL NICKEL
 - PRODUCT SPECIFICATION: PS-171446-0001
 - PACKAGING SPECIFICATION: TAPE AND REEL
PER PK-70873-6003
 - MATES WITH SPEEDSTACK RECEPTACLE: 171450
 - APPLICATION SPECIFICATION: AS-171450-9999
 - COSMETIC SPECIFICATION: PS-45499-002 CLASS B
 - PART STATUS: CONTACT MOLEX
 - DIM D ON THIS DRAWING PLUS DIM D ON DRAWING
SD-171450-5000 EQUALS THE SYSTEM MATED STACK HEIGHT
 - PARTS TO BE SHIPPED WITH PICK & PLACE COVERS.

QUALITY SYMBOLS 	THIS DRAWING CONTAINS INFORMATION THAT IS PROPRIETARY TO MOLEX ELECTRONIC TECHNOLOGIES, LLC AND SHOULD NOT BE USED WITHOUT WRITTEN PERMISSION									
	EC NO: 122646 DRWN: MAZAM CHKD: JBINGHAM APPR: KLANG MIGRATED TO NX 2017/09/26 2017/09/28 2017/10/03	GENERAL TOLERANCES (UNLESS SPECIFIED) DIMENSION UNITS: mm SCALE: 10:1		 SPEEDSTACK SINGLE-ENDED PLUG SALES ASSEMBLY DRAWING						
		ANGULAR TOL ± 0.5 ° DRWN BY: JBINGHAM DATE: 2016/12/05								
		4 PLACES ± 3 PLACES ± 2 PLACES ± 0.13 1 PLACE ± 0.25 0 PLACES ±								
DRAFT WHERE APPLICABLE MUST REMAIN WITHIN DIMENSIONS		DRAWING SIZE: B THIRD ANGLE PROJECTION		PRODUCT CUSTOMER DRAWING						
SERIES: 171810 MATERIAL NUMBER: SEE CHART CUSTOMER: GENERAL MARKET		APPR BY: KLANG DATE: 2016/12/20		DOCUMENT NUMBER: SD-171810-1000 DOC TYPE: PSD DOC PART: 001		SHEET NUMBER: 1 OF 3				

PCB LAYOUT - 22 CKT



PCB LAYOUT (COMPONENT SIDE)

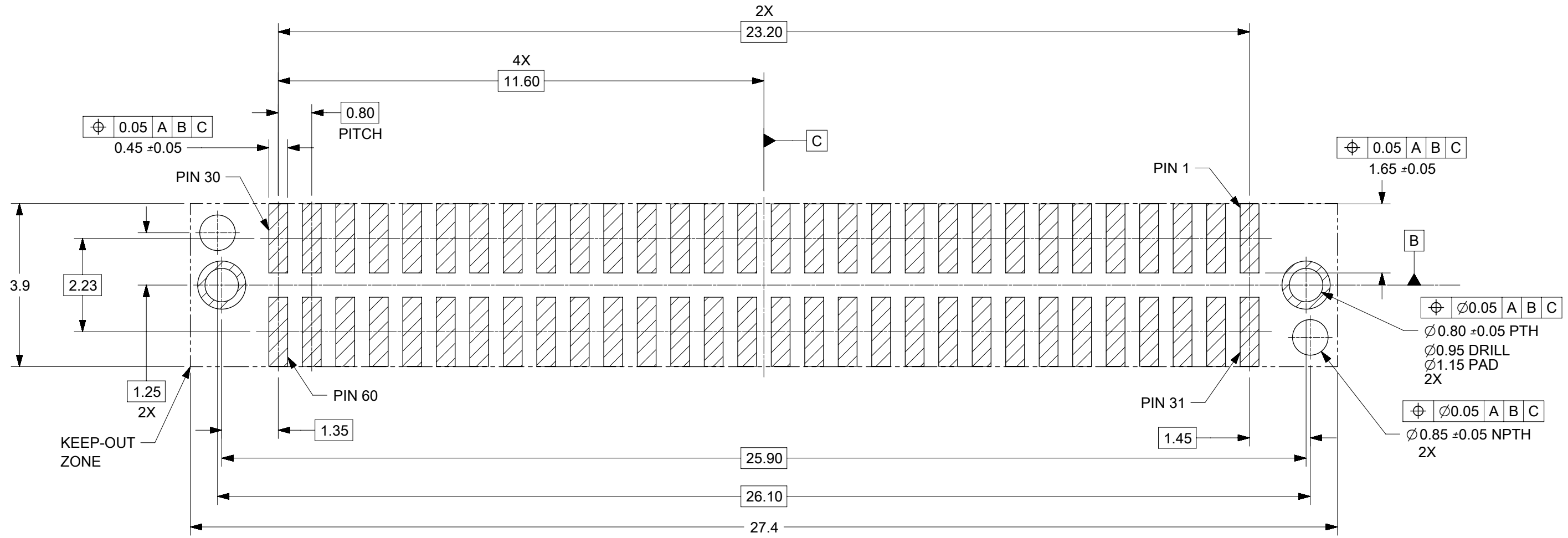
SOLDER PASTE THICKNESS: 0.15 MIN

DATUM A IS THE BOTTOM SURFACE OF THE PCB

NOTE:
PIN NUMBERING IS FOR REFERENCE ONLY.
OTHER PIN NUMBERS WILL NOT AFFECT THE
OPERATION OF THE CONNECTOR.

THIS DRAWING CONTAINS INFORMATION THAT IS PROPRIETARY TO MOLEX ELECTRONIC TECHNOLOGIES, LLC AND SHOULD NOT BE USED WITHOUT WRITTEN PERMISSION												
QUALITY SYMBOLS	MIGRATED TO NX	EC NO: 122646	DRWN: MAZAM	CHKD: JBINGHAM	APP: KLANG	GENERAL TOLERANCES (UNLESS SPECIFIED)		DIMENSION UNITS	SCALE			
						ANGULAR TOL ± 0.5 °		mm	10:1			
▽ = 0						4 PLACES ±	DRWN BY	DATE				
▽ = 0						3 PLACES ±	JBINGHAM	2016/12/05				
▽ = 0						2 PLACES ± 0.13	CHK'D BY	DATE				
▽ = 0						1 PLACE ± 0.25	KLANG	2016/12/05	SPEEDSTACK SINGLE-ENDED PLUG SALES ASSEMBLY DRAWING			
▽ = 0						0 PLACES ±	APP'R BY	DATE				
▽ = 0						DRAFT WHERE APPLICABLE MUST REMAIN WITHIN DIMENSIONS	KLANG	2016/12/20	PRODUCT CUSTOMER DRAWING			
▽ = 0							DRAWING SIZE	THIRD ANGLE PROJECTION	SERIES	MATERIAL NUMBER	CUSTOMER	
							B		171810	SEE CHART	GENERAL MARKET	
									DOCUMENT NUMBER	DOC TYPE	DOC PART	SHEET NUMBER
									SD-171810-1000	PSD	001	2 OF 3

PCB LAYOUT - 60 CKT



PCB LAYOUT (COMPONENT SIDE)

SOLDER PASTE THICKNESS: 0.15 MIN
 DATUM **A** IS THE BOTTOM SURFACE OF THE PCB

NOTE:
 PIN NUMBERING IS FOR REFERENCE ONLY.
 OTHER PIN NUMBERS WILL NOT AFFECT THE
 OPERATION OF THE CONNECTOR.

THIS DRAWING CONTAINS INFORMATION THAT IS PROPRIETARY TO MOLEX ELECTRONIC TECHNOLOGIES, LLC AND SHOULD NOT BE USED WITHOUT WRITTEN PERMISSION											
QUALITY SYMBOLS	EC NO: 122646 DRWN: MAZAM CHKD: JBINGHAM APPR: KLANG MIGRATED TO NX	GENERAL TOLERANCES (UNLESS SPECIFIED)			DIMENSION UNITS	SCALE					
		ANGULAR TOL ± 0.5 °			mm	10:1					
▽ = 0	EC NO: 122646 DRWN: MAZAM CHKD: JBINGHAM APPR: KLANG MIGRATED TO NX	4 PLACES ±	DRWN BY		DATE		SPEEDSTACK SINGLE-ENDED PLUG SALES ASSEMBLY DRAWING				
▽ = 0		3 PLACES ±	JBINGHAM		2016/12/05						
▽ = 0		2 PLACES ± 0.13	CHK'D BY		DATE						
▼ = 0		1 PLACE ± 0.25	KLANG		2016/12/05		PRODUCT CUSTOMER DRAWING				
▽ = 0		0 PLACES ±	KLANG		2016/12/20						
□ = 0		DRAFT WHERE APPLICABLE MUST REMAIN WITHIN DIMENSIONS		DRAWING SIZE	THIRD ANGLE PROJECTION		SERIES	MATERIAL NUMBER	CUSTOMER		
■ = 0			B			171810	SEE CHART	GENERAL MARKET			
▽ = 0							DOCUMENT NUMBER	DOC TYPE	DOC PART	SHEET NUMBER	
						SD-171810-1000		PSD	001	3 OF 3	