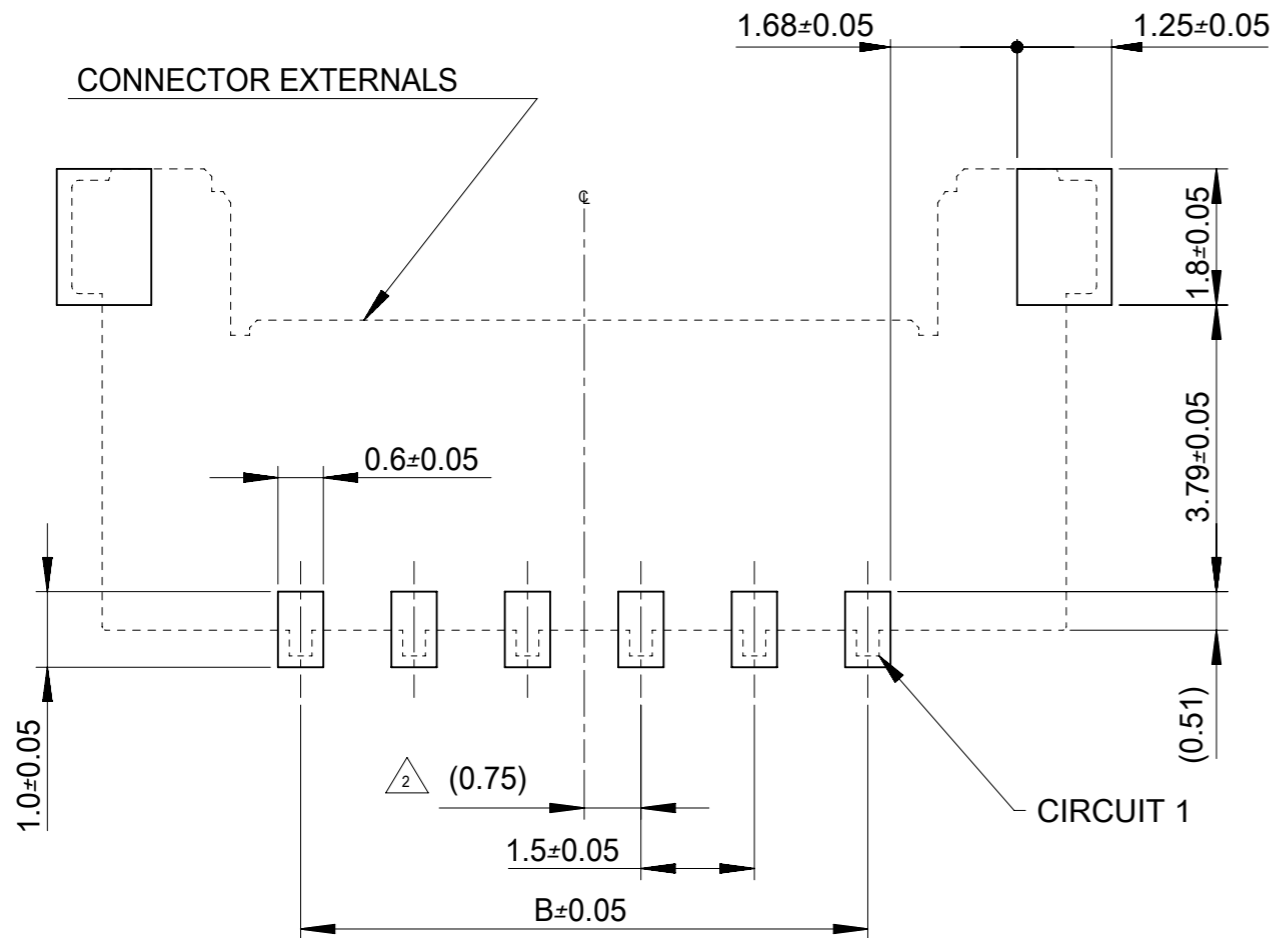


NOTE.

1. 嵌合相手 : 5 0 4 0 5 1 \* \* \* \*  
MATE WITH : 504051\*\*\*\*
2. 偶数極の製品に適用  
APPLY EVEN CIRCUIT PRODUCTS.
3. 材質  
MATERIAL  
ハウジング : ポリアミド(PA)  
UL 9 4 - V 0 BLACK  
HOUSING : POLYAMIDE(PA)  
UL94-V0 BLACK  
ターミナル、ネール : 銅合金  
TERMINAL、NAIL: COPPER ALLOY
4. めっき  
PLATING  
ターミナル : ニッケル下地めっき 1.0micro-meter MIN.、  
コンタクト : 金めっき0.1micro-meter MIN. 半田付け部 : 金めっき  
TERMINAL : UNDER NICKEL PLATING 1.0micro-meter MIN. CONTACT :  
GOLD PLATING0.1micro-meter MIN. TAIL : GOLD PLATING  
ネール : ニッケル下地めっき 1.0micro-meter MIN. 錫めっき 1.0micro-meter MIN.  
NAIL:UNDER NICKEL PLATING 1.0micro-meter MIN.  
TIN PLATING 1.0micro-meter MIN.
5. ソルダータイルとネールの平坦度 : 0.08mm MAX.  
SOLDER TAIL AND FITTING NAIL COPLANARITY : 0.08mm MAX.
6. ELV及びRoHS適合品  
ELV AND RoHS COMPLIANT.
7. 製品仕様及び取扱いについては、製品仕様書PS-504051-001  
及びコネクタ取扱説明書AS-504051-001を参照願います。  
PLEASE REFER TO PRODUCT SPECIFICATION PS-504051-001  
AND APPLICATION SPECIFICATION AS-504051-001.
8. 梱包仕様書 : SPK-504050-001.  
PACKING INFORMATION SPK-504050-001.

17.85	16.5	21.75	12
14.85	13.5	18.75	10
11.85	10.5	15.75	8
10.35	9.0	14.25	7
8.85	7.5	12.75	6
7.35	6.0	11.25	5
5.85	4.5	9.75	4
C	B	A	極数 CIRCUIT SIZE

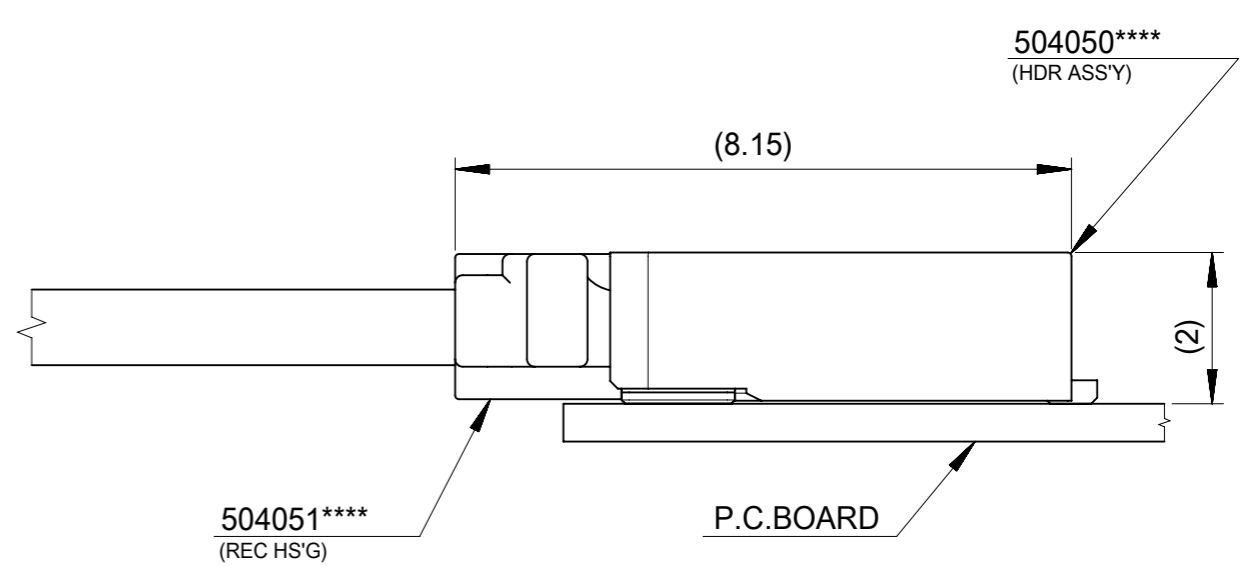
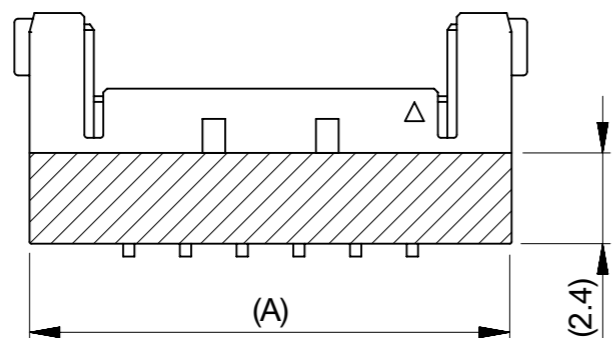
THIS DRAWING CONTAINS INFORMATION THAT IS PROPRIETARY TO MOLEX ELECTRONIC TECHNOLOGIES, LLC AND SHOULD NOT BE USED WITHOUT WRITTEN PERMISSION									
DIMENSION UNITS	SCALE	CURRENT REV DESC: REDRAWN AND REVISED							
mm	NTS								
GENERAL TOLERANCES (UNLESS SPECIFIED)									
ANGULAR TOL	± 3.0 °	PICO-LOCK1.5 HDRASSY SGLRW R/A ETP H=2 FOR CIRCUIT SIZE 4-8, 10,12							
4 PLACES	± 0.2	PRODUCT CUSTOMER DRAWING							
3 PLACES	± 0.2	DOCUMENT NUMBER							
2 PLACES	± 0.2	5040500000-SD							
1 PLACE	± 0.2	DOC TYPE							
0 PLACES	± 0.2	PSD							
DRAFT WHERE APPLICABLE MUST REMAIN WITHIN DIMENSIONS		THIRD ANGLE PROJECTION	DRAWING	SERIES	MATERIAL NUMBER	CUSTOMER	REVISION		
			A3-SIZE	504050	SEE CHART OF SHEET 1	000	A		
							SHEET NUMBER		
							1 OF 3		



### RECOMMENDED PATTERN LAYOUT (REF.)

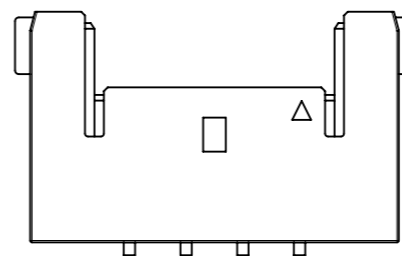
推奨メタルマスク厚さ:0.1mm、開口率:100%。  
 RECOMMEND STENCIL MASK THICKNESS: 0.1mm, APERTURE RATIO: 100%.

吸着エリア  
 PICK-UP AREA

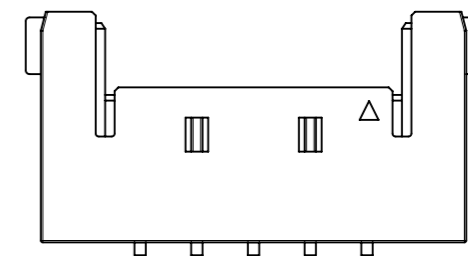


### MATED CONNECTORS

### NUMBER of LOCK

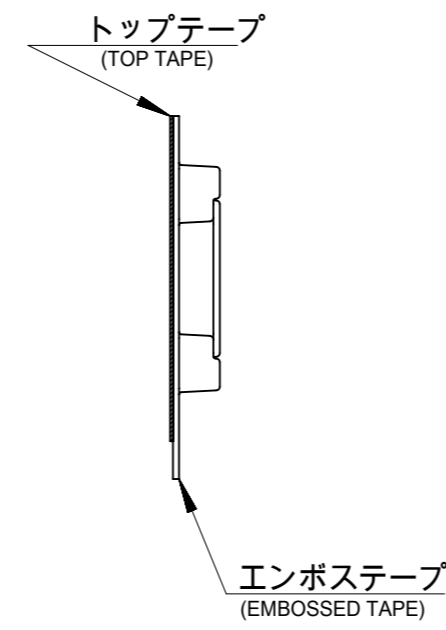
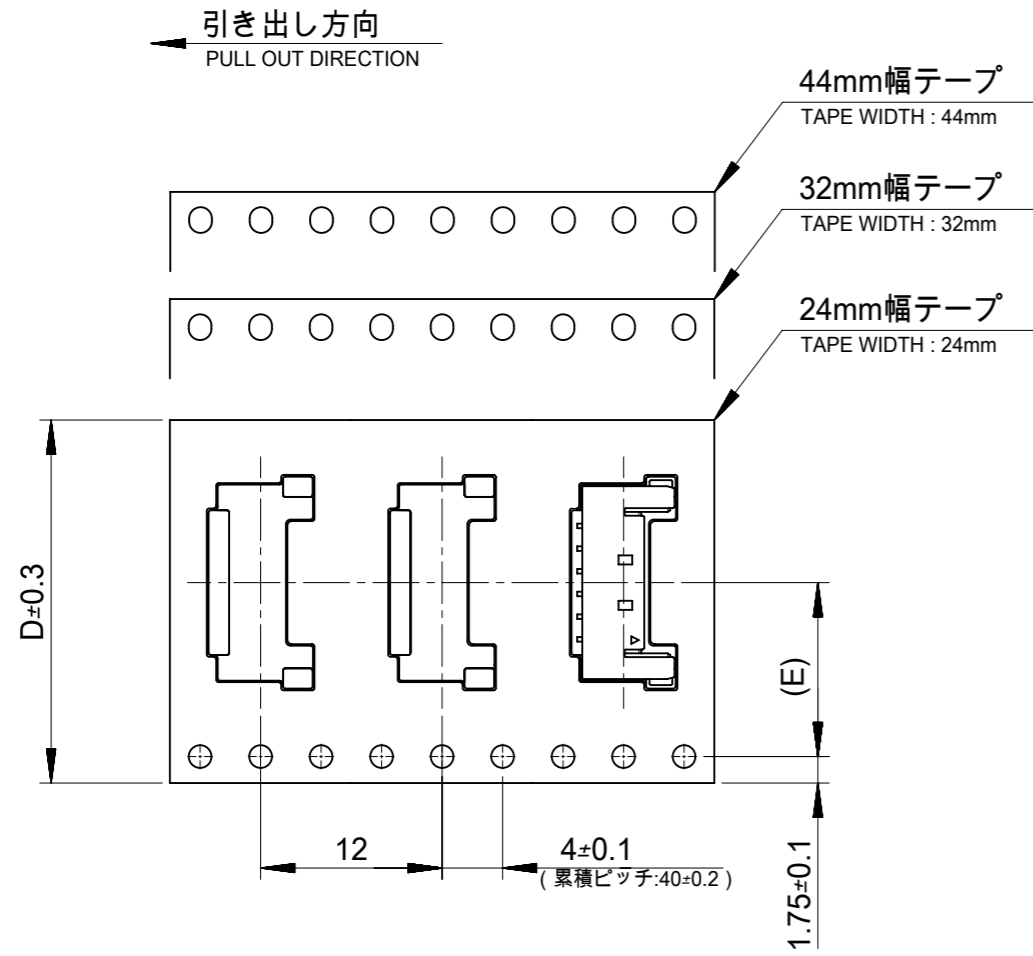


4 CIRCUITS



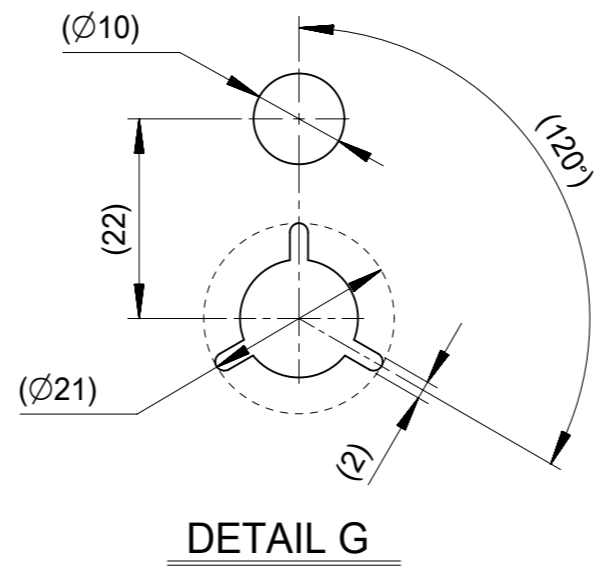
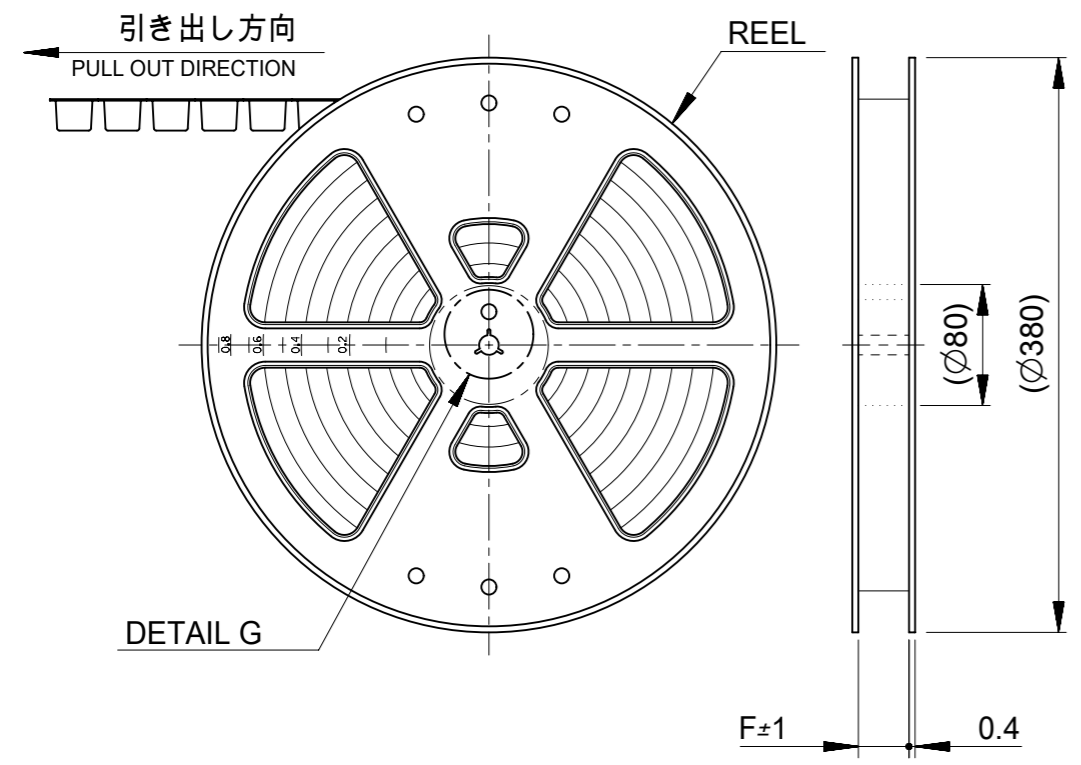
5-12 CIRCUITS

THIS DRAWING CONTAINS INFORMATION THAT IS PROPRIETARY TO MOLEX ELECTRONIC TECHNOLOGIES, LLC AND SHOULD NOT BE USED WITHOUT WRITTEN PERMISSION											
DIMENSION UNITS		SCALE		CURRENT REV DESC: REDRAWN AND REVISED				<b>molex</b>		PICO-LOCK1.5 HDRASSY SGLRW R/A ETP H=2 FOR CIRCUIT SIZE 4-8, 10,12	
mm		NTS									
GENERAL TOLERANCES (UNLESS SPECIFIED)											
ANGULAR TOL		± 3.0 °		EC NO: 612189		2018/03/14					
4 PLACES		± 0.2		DRWN: QHE31		2019/02/18					
3 PLACES		± 0.2		CHK'D: SAKIYAMA		2019/02/18					
2 PLACES		± 0.2		APPR: KOMURAKAMI		2019/02/18					
1 PLACE		± 0.2		INITIAL REVISION:							
0 PLACES		± 0.2		DRWN: QHE31		2018/03/14					
				APPR: KOMURAKAMI		2019/02/18					
DRAFT WHERE APPLICABLE MUST REMAIN WITHIN DIMENSIONS		THIRD ANGLE PROJECTION		DRAWING		SERIES		MATERIAL NUMBER		CUSTOMER	
				A3-SIZE		504050		5040500000-SD		SEE CHART OF SHEET 1	
DOCUMENT STATUS		P1		RELEASE DATE		2019/02/18 09:34:43		DOC TYPE		DOC PART	
								PSD		000	
								REVISION		A	
										SHEET NUMBER	
										2 OF 3	



NOTE

- 梱包数量 : 2700個 / リール  
NUMBER OF CONNECTORS : 2700 PIECES/REEL
  - リードテープ長さ  
LEAD TAPE LENGTH
- 
- 材料  
MATERIALS  
キャリアテープ:ポリスチレン(PS)  
CARRIER TAPE : POLYSTYRENE(PS)  
トップテープ:ポリエチレン(PE)、ポリエチレンテレフタレート(PET)  
TOP TAPE : POLYETHYLENE(PE) ,  
POLYETHYLENE TEREPHTHALATE(PET)  
リール:ポリスチレン(PS) (リサイクル材を含む)  
REEL : POLYSTYRENE(PS) (RECYCLE MATERIAL CONTAINED)
  - ELV及びRoHS適合品  
ELV AND RoHS COMPLIANT.
  - トップテープの剥離強度については、IEC 6 0 2 8 6 - 3に準拠。  
TOP TAPE PEEL FORCE IS DEFINED BY IEC60286-3.
  - 梱包仕様書 : SPK-504050-001.  
PACKING INFORMATION SPK-504050-001.

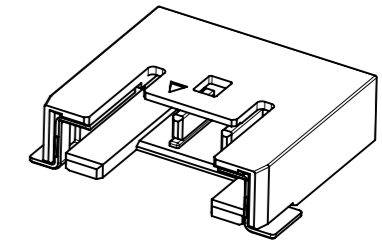
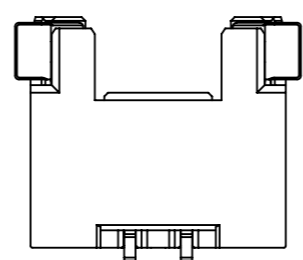
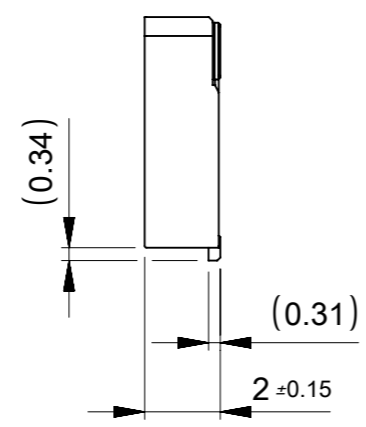
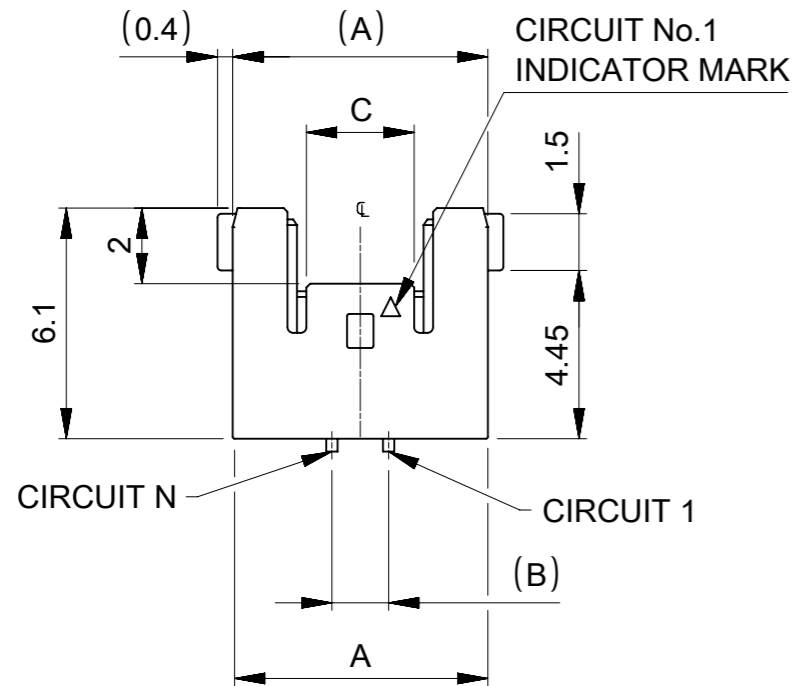
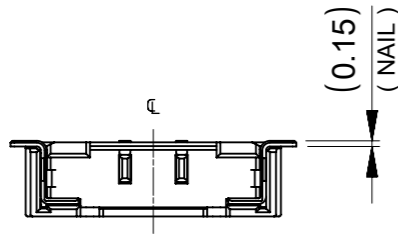


45.5	20.2	44	5040501291	12
33.5	14.2	32	5040501091	10
33.5	14.2	32	5040500891	8
25.5	11.5	24	5040500791	7
25.5	11.5	24	5040500691	6
25.5	11.5	24	5040500591	5
25.5	11.5	24	5040500491	4

D	E	F	発注番号 ORDER NO.	極数 CIRCUIT SIZE
梱包状態 : エンボス梱包 PACKAGING : EMBOSSED TAPE AND REEL				

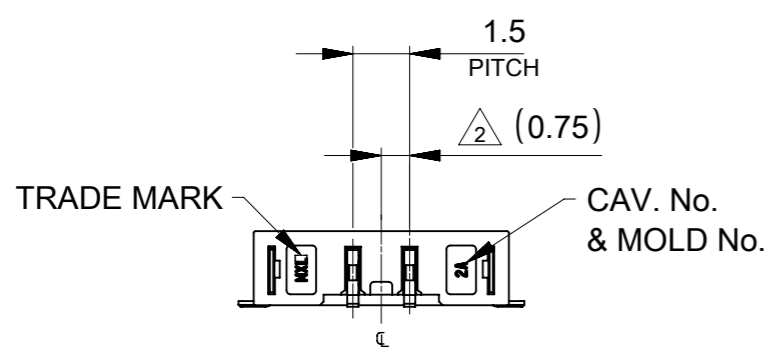
THIS DRAWING CONTAINS INFORMATION THAT IS PROPRIETARY TO MOLEX ELECTRONIC TECHNOLOGIES, LLC AND SHOULD NOT BE USED WITHOUT WRITTEN PERMISSION

DIMENSION UNITS mm	SCALE NTS	CURRENT REV DESC: REDRAWN AND REVISED	<b>molex</b>		
GENERAL TOLERANCES (UNLESS SPECIFIED)					
ANGULAR TOL ± 3.0 °		EC NO: 612189	PICO-LOCK1.5 HDRASSY SGLRW R/A ETP H=2 FOR CIRCUIT SIZE 4-8, 10,12		
4 PLACES ± 0.2		DRWN: QHE31 2018/03/14			
3 PLACES ± 0.2		CHK'D: SAKIYAMA 2019/02/18	PRODUCT CUSTOMER DRAWING		
2 PLACES ± 0.2		APPR: KOMURAKAMI 2019/02/18			
1 PLACE ± 0.2		INITIAL REVISION:	DOCUMENT NUMBER 5040500000-SD		
0 PLACES ± 0.2		DRWN: QHE31 2018/03/14			
DRAFT WHERE APPLICABLE MUST REMAIN WITHIN DIMENSIONS	THIRD ANGLE PROJECTION	DRAWING A3-SIZE	SERIES 504050	MATERIAL NUMBER SEE CHART OF SHEET 1	CUSTOMER
				DOC TYPE PSD	DOC PART 000
				REVISION A	SHEET NUMBER 3 OF 3



NOTE.

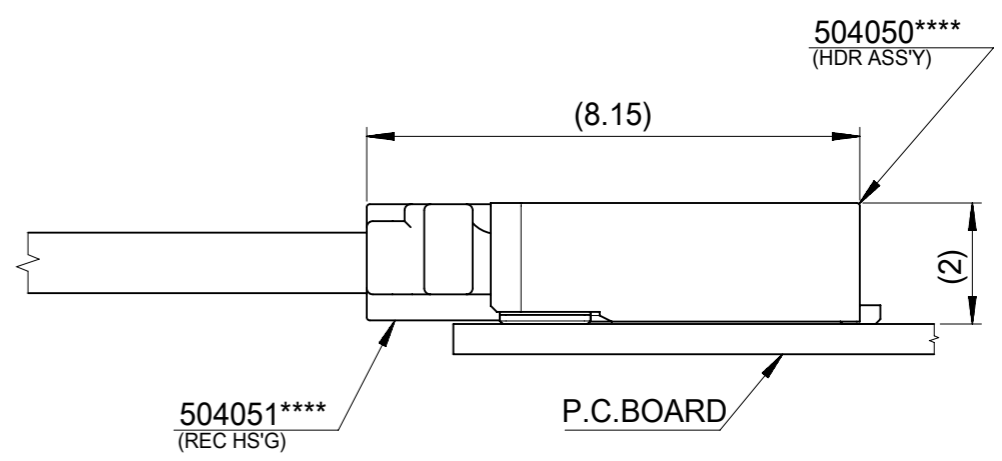
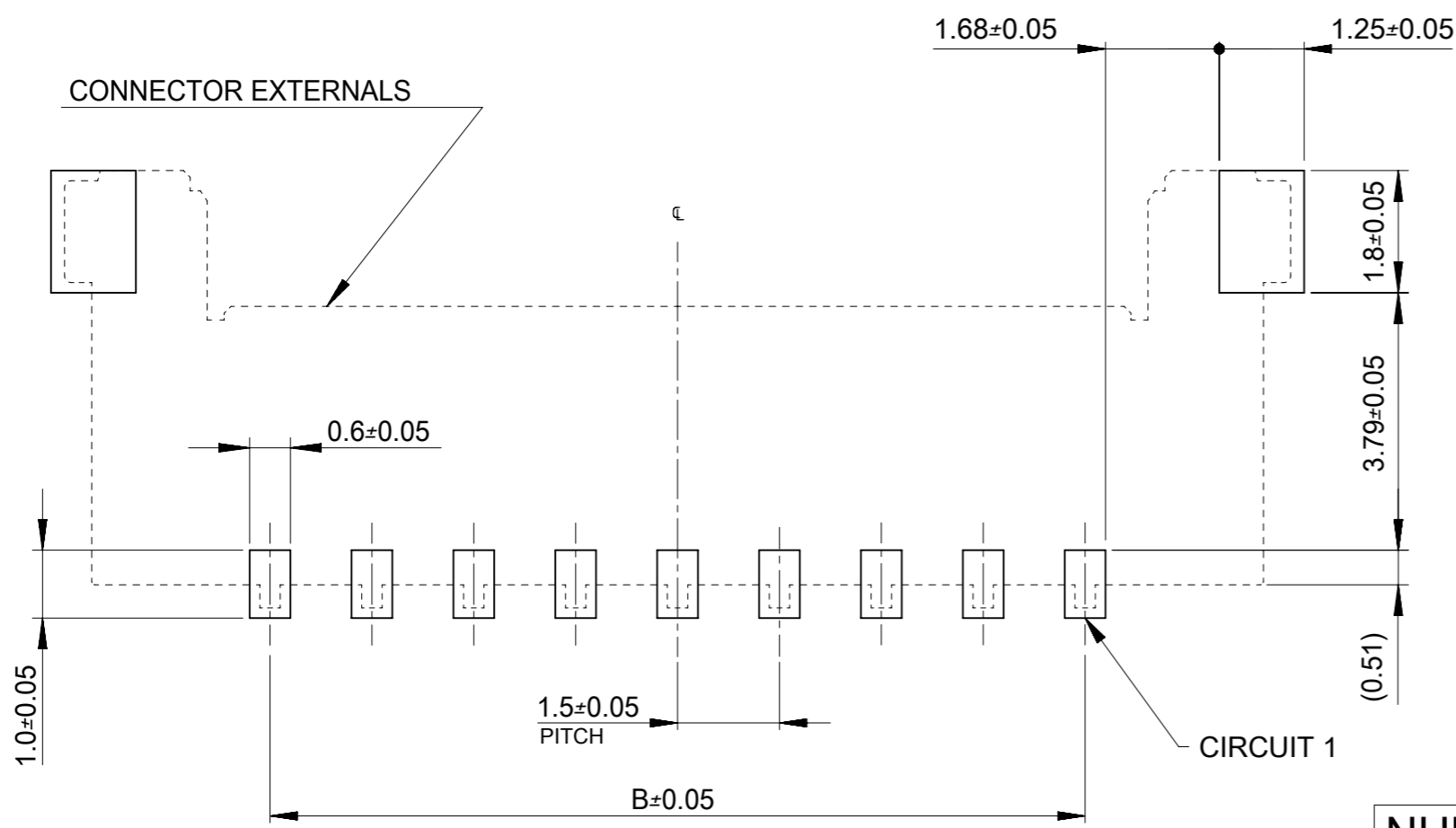
1. 嵌合相手 : 5 0 4 0 5 1 \* \* \* \*  
MATE WITH : 504051\*\*\*\*
- △ 2. 偶数極の製品に適用  
APPLY EVEN CIRCUIT PRODUCTS.
3. 材質  
MATERIAL  
ハウジング : ポリアミド(PA)  
UL 9 4 - V 0 BLACK  
HOUSING : POLYAMIDE(PA)  
UL94-V0 BLACK  
ターミナル、ネール : 銅合金  
TERMINAL、NAIL: COPPER ALLOY
4. めっき  
PLATING  
ターミナル : ニッケル下地めっき 1.0micro-meter MIN.、  
CONTACT : 金めっき0.1micro-meter MIN. 半田付け部 : 金めっき  
TERMINAL : UNDER NICKEL PLATING 1.0micro-meter MIN. CONTACT :  
GOLD PLATING0.1micro-meter MIN. TAIL : GOLD PLATING  
ネール : ニッケル下地めっき 1.0micro-meter MIN. 錫めっき 1.0micro-meter MIN.  
NAIL:UNDER NICKEL PLATING 1.0micro-meter MIN.  
TIN PLATING 1.0micro-meter MIN.
5. ソルダータイルとネイルの平坦度 : 0.08mm MAX.  
SOLDER TAIL AND FITTING NAIL COPLANARITY : 0.08mm MAX.
6. ELV及びRoHS適合品  
ELV AND RoHS COMPLIANT.
7. 製品仕様及び取扱いについては、製品仕様書PS-504051-001  
及びコネクタ取扱説明書AS-504051-001を参照願います。  
PLEASE REFER TO PRODUCT SPECIFICATION PS-504051-001  
AND APPLICATION SPECIFICATION AS-504051-001.
8. 梱包仕様書 : SPK-504050-001.  
PACKING INFORMATION SPK-504050-001.



16.35	15	20.25	11
13.35	12	17.25	9
4.35	3	8.25	3
2.85	1.5	6.75	2
C	B	A	極数 CIRCUIT SIZE

THIS DRAWING CONTAINS INFORMATION THAT IS PROPRIETARY TO MOLEX ELECTRONIC TECHNOLOGIES, LLC AND SHOULD NOT BE USED WITHOUT WRITTEN PERMISSION

DIMENSION UNITS mm	SCALE NTS	CURRENT REV DESC: REDRAWN AND REVISED	<b>molex</b>		
GENERAL TOLERANCES (UNLESS SPECIFIED)		EC NO: 612189			
ANGULAR TOL ± 3.0 °	4 PLACES ± 0.2	DRWN: QHE31 2019/01/22	PRODUCT CUSTOMER DRAWING		
3 PLACES ± 0.2	2 PLACES ± 0.2	CHK'D: SAKIYAMA 2019/02/18	DOCUMENT NUMBER		
1 PLACE ± 0.2	0 PLACES ± 0.2	APPR: KOMURAKAMI 2019/02/18	5040500000-SD		
DRAFT WHERE APPLICABLE MUST REMAIN WITHIN DIMENSIONS		INITIAL REVISION:	DOC TYPE	DOC PART	REVISION
THIRD ANGLE PROJECTION		DRWN: QHE31 2019/01/22	PSD	001	A
DRAWING		APPR: KOMURAKAMI 2019/02/18	CUSTOMER		SHEET NUMBER
A3-SIZE		SERIES	SEE CHART OF SHEET 1		1 OF 3
		504050			

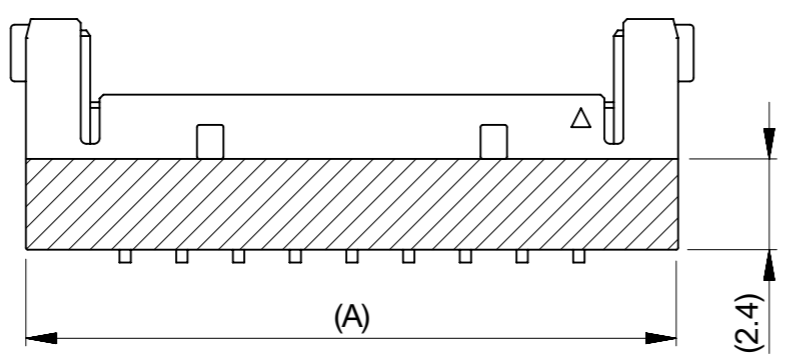


**MATED CONNECTORS**

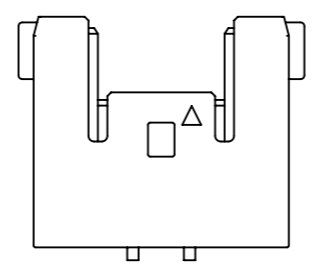
**RECOMMENDED PATTERN LAYOUT (REF.)**

推奨メタルマスク厚さ:0.1mm、開口率:100%。  
RECOMMEND STENCIL MASK THICKNESS: 0.1mm, APERTURE RATIO: 100%.

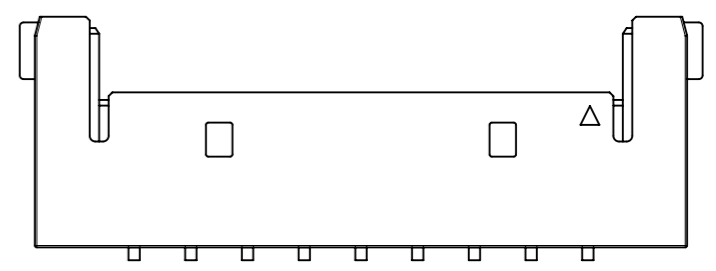
吸着エリア  
PICK-UP AREA



**NUMBER of LOCK**

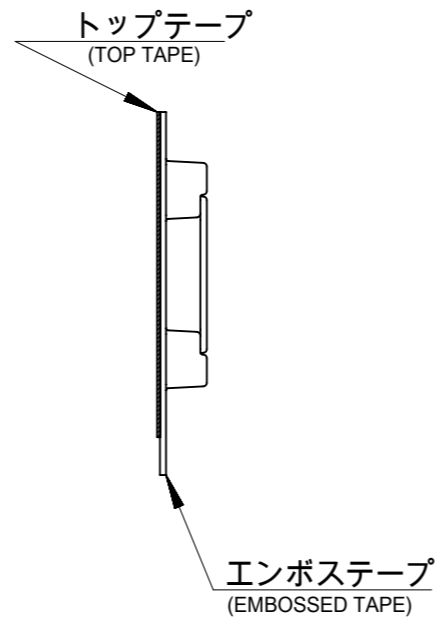
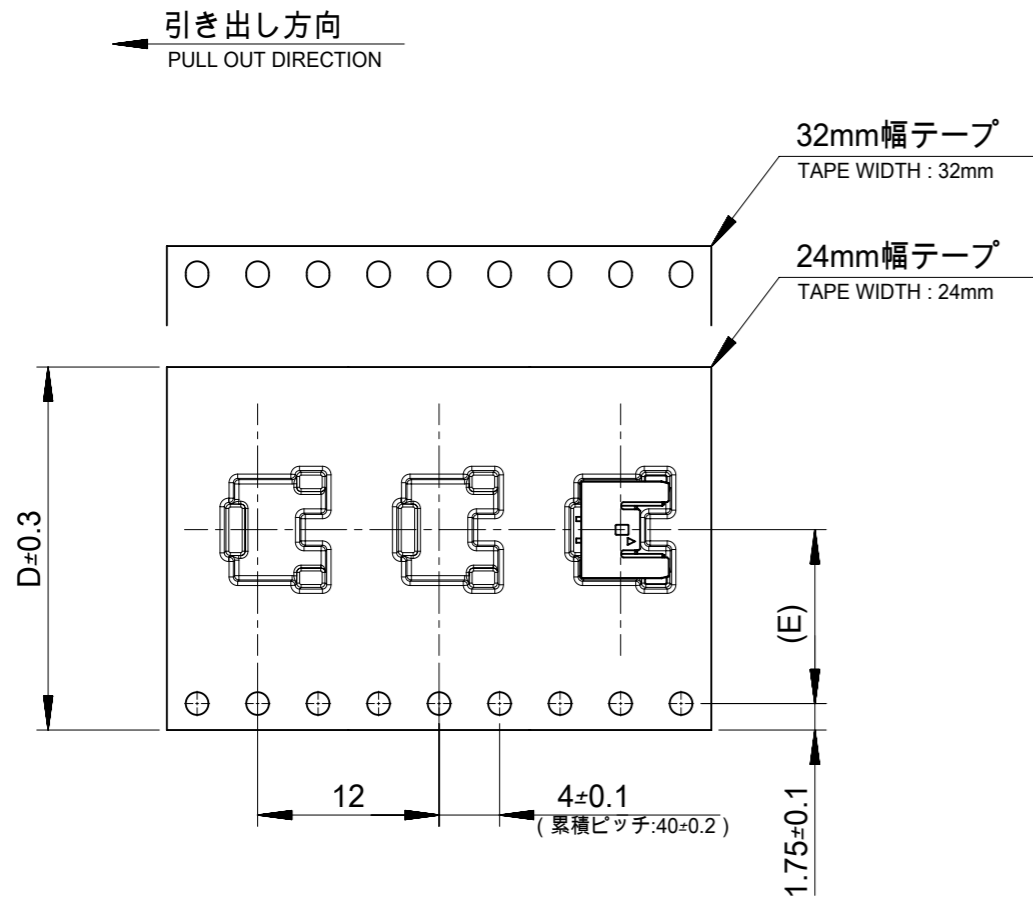


2,3 CIRCUITS



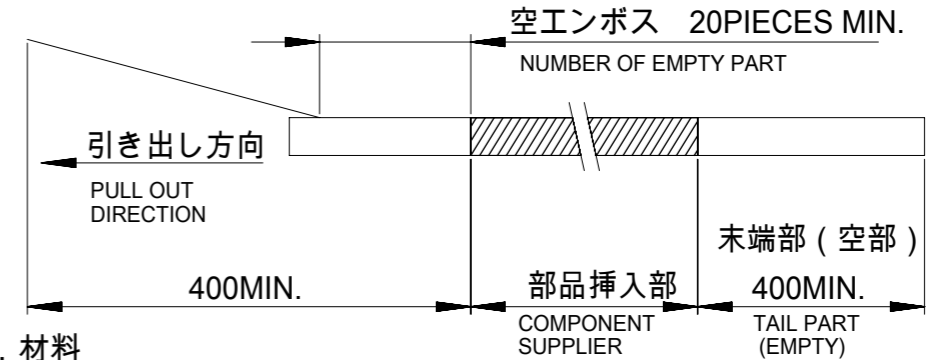
9,11 CIRCUITS

THIS DRAWING CONTAINS INFORMATION THAT IS PROPRIETARY TO MOLEX ELECTRONIC TECHNOLOGIES, LLC AND SHOULD NOT BE USED WITHOUT WRITTEN PERMISSION											
DIMENSION UNITS		SCALE		CURRENT REV DESC: REDRAWN AND REVISED				<b>molex</b>		PICO-LOCK1.5 HDRASSY SGLRW R/A ETP H=2 FOR CIRCUIT SIZE 2,3,9,11	
mm		NTS									
GENERAL TOLERANCES (UNLESS SPECIFIED)											
ANGULAR TOL		± 3.0 °		EC NO: 612189		2019/01/22					
4 PLACES		± 0.2		DRWN: QHE31		2019/02/18					
3 PLACES		± 0.2		CHK'D: SAKIYAMA		2019/02/18					
2 PLACES		± 0.2		APPR: KOMURAKAMI		2019/02/18					
1 PLACE		± 0.2		INITIAL REVISION:							
0 PLACES		± 0.2		DRWN: QHE31		2019/01/22					
				APPR: KOMURAKAMI		2019/02/18					
DRAFT WHERE APPLICABLE MUST REMAIN WITHIN DIMENSIONS		THIRD ANGLE PROJECTION		DRAWING		SERIES		MATERIAL NUMBER		CUSTOMER	
		⊕		A3-SIZE		504050		SEE CHART OF SHEET 1		SHEET NUMBER	
								5040500000-SD		PSD 001 A	
										2 OF 3	

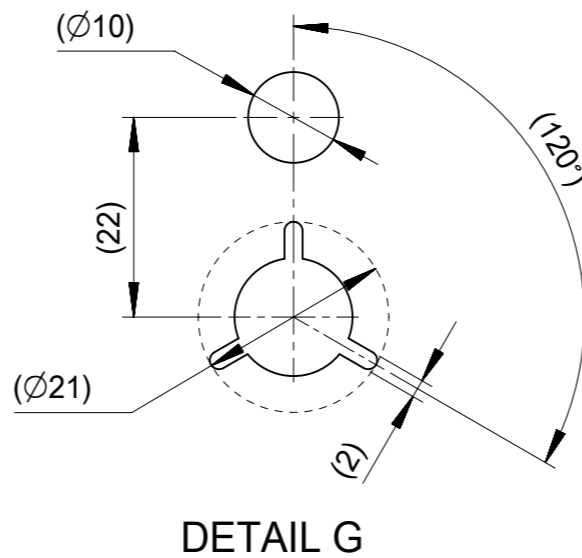
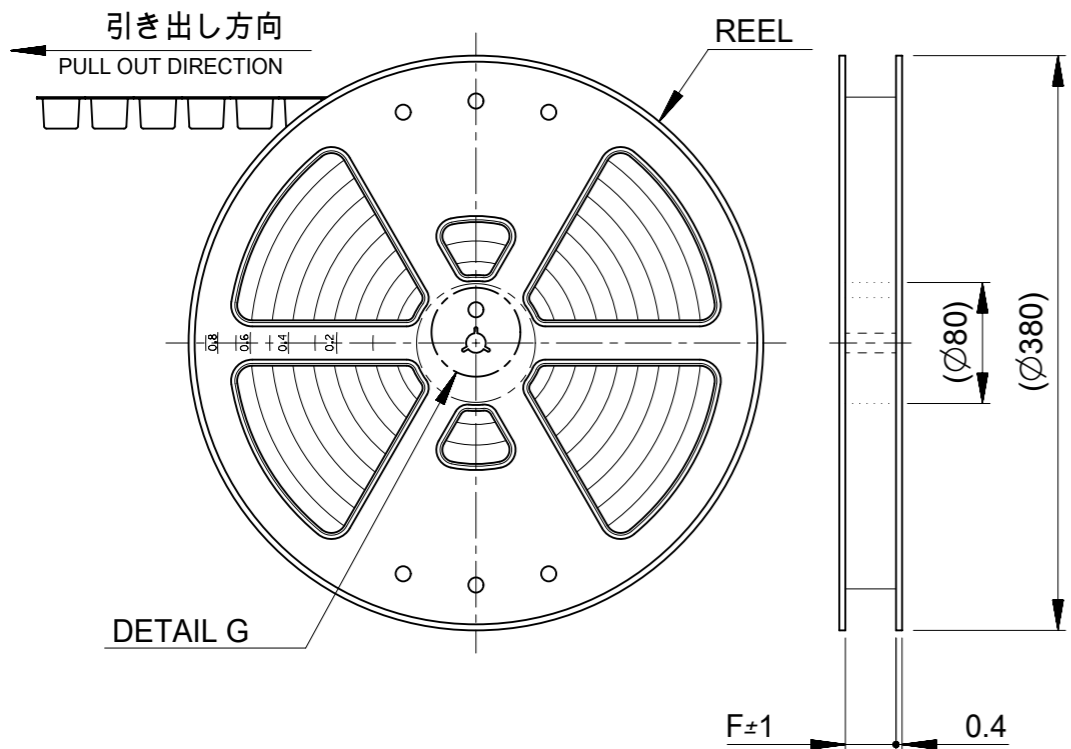


NOTE

1. 梱包数量 : 2700個 / リール  
NUMBER OF CONNECTORS : 2700 PIECES/REEL
2. リードテープ長さ  
LEAD TAPE LENGTH



3. 材料  
MATERIALS  
キャリアテープ:ポリスチレン(PS)  
CARRIER TAPE : POLYSTYRENE(PS)  
トップテープ:ポリエチレン(PE)、ポリエチレンテレフタレート(PET)  
TOP TAPE : POLYETHYLENE(PE) ,  
POLYETHYLENE TEREPHTHALATE(PET)  
リール:ポリスチレン(PS) (リサイクル材を含む)  
REEL : POLYSTYRENE(PS) (RECYCLE MATERIAL CONTAINED)
4. ELV及びRoHS適合品  
ELV AND RoHS COMPLIANT.
5. トップテープの剥離強度については、IEC 6 0 2 8 6 - 3に準拠。  
TOP TAPE PEEL FORCE IS DEFINED BY IEC60286-3.
6. 梱包仕様書 : SPK-504050-001.  
PACKING INFORMATION SPK-504050-001.



33.5	14.2	32	5040501191	11
33.5	14.2	32	5040500991	9
25.5	11.5	24	5040500391	3
25.5	11.5	24	5040500291	2
D	E	F	発注番号 ORDER NO.	極数 CIRCUIT SIZE

梱包状態 : エンボス梱包  
PACKAGING : EMBOSSED TAPE AND REEL

THIS DRAWING CONTAINS INFORMATION THAT IS PROPRIETARY TO MOLEX ELECTRONIC TECHNOLOGIES, LLC AND SHOULD NOT BE USED WITHOUT WRITTEN PERMISSION									
DIMENSION UNITS		SCALE		CURRENT REV DESC: REDRAWN AND REVISED					
mm		NTS		<p><b>molex</b></p> <p>PICO-LOCK1.5 HDRASSY SGLRW R/A ETP H=2 FOR CIRCUIT SIZE 2,3,9,11</p> <p>PRODUCT CUSTOMER DRAWING</p> <p>DOCUMENT NUMBER: 5040500000-SD   DOC TYPE: PSD   DOC PART: 001   REVISION: A</p>					
GENERAL TOLERANCES (UNLESS SPECIFIED)									
ANGULAR TOL ± 3.0°									
4 PLACES ± 0.2									
3 PLACES ± 0.2									
2 PLACES ± 0.2									
1 PLACE ± 0.2									
0 PLACES ± 0.2									
DRAFT WHERE APPLICABLE MUST REMAIN WITHIN DIMENSIONS				THIRD ANGLE PROJECTION		DRAWING		SERIES	
		A3-SIZE		504050		MATERIAL NUMBER		CUSTOMER	
						SEE CHART OF SHEET 1		SHEET NUMBER	
								3 OF 3	