

NOTES

1. MATERIAL

HOUSING	LIQUID CRYSTAL POLYMER GLASS FILLED,UL94V-0(BEIGE)
ACTUATOR	PPS GLASS FILLED, UL94V-0(BLACK) (t=0.15)
TERMINAL	PHOSPHOR BRONZE (t=0.15)
FITTING NAIL	PHOSPHOR BRONZE
2. PLATING

TERMINAL	CONTACT AREA : SEPARATED GOLD PLATING (0.05 MICROMETER MINIMUM) SOLDER TAIL AREA : SEPARATED GOLD PLATING UNDERPLATE : NICKEL OVERALL (1.0 MICROMETER MINIMUM)
FITTING NAIL	TIN PLATING (1.0 MICROMETER MIN.) UNDER PLATING : NICKEL PLATING (1.0 MICROMETER MIN.)
3. IN THE PACKAGE, ACTUATOR OF PART 104060-**10 SHOULD BE CLOSED.
4. FITTING NAIL FOR PREVENTION OF PEELING OF P.C.B. PATTERN.
5. R0.3 MUST NOT BE OVERLAPPED TO PATTERN OF FPC/FFC.
6. N: CIRCUIT.
7. ELV AND RoHS COMPLIANT
8. TAILS AND NAILS COPLANALITY TO BE 0.1mm MAX.

40.55	43.1	39.5	44.7	104060-8010	104060-8017	80
30.55	33.1	29.5	34.7	104060-6010	104060-6017	60
D	C	B	A	MATERIAL NO.	EMBOSSED PACKAGE	CIRCUIT

CONNECTOR SERIES No. 104060-***10

REVISED EC NO: KOR2016-0118 DRWN:YRK/IM 2016/05/27 CHKD:SK/IM 2016/05/30 APPR:YSK/IM02 2016/05/31	DESCRIPTION B	QUALITY SYMBOLS	GENERAL TOLERANCES (UNLESS SPECIFIED)	DIMENSION STYLE	SCALE	DESIGN UNITS	THIRD ANGLE PROJECTION															
		$\nabla=0$ $\square=0$	<table border="1"> <tr> <th></th> <th>mm</th> <th>INCH</th> </tr> <tr> <td>4 PLACES</td> <td>± ---</td> <td>± ---</td> </tr> <tr> <td>3 PLACES</td> <td>± ---</td> <td>± ---</td> </tr> <tr> <td>2 PLACES</td> <td>± ---</td> <td>± ---</td> </tr> <tr> <td>1 PLACE</td> <td>± 0.3</td> <td>± ---</td> </tr> </table>		mm	INCH	4 PLACES	± ---	± ---	3 PLACES	± ---	± ---	2 PLACES	± ---	± ---	1 PLACE	± 0.3	± ---	MM ONLY	1:1	METRIC	
			mm	INCH																		
		4 PLACES	± ---	± ---																		
3 PLACES	± ---	± ---																				
2 PLACES	± ---	± ---																				
1 PLACE	± 0.3	± ---																				
	ANGULAR ± 1 °	DRAWN BY: YR.KIM DATE: 2009/06/26 CHECKED BY: YS00.KIM DATE: 2009/06/26 APPROVED BY: YS00.KIM DATE: 2009/06/26	TITLE	MOLEX INCORPORATED																		
	DRAFT WHERE APPLICABLE MUST REMAIN WITHIN DIMENSIONS	SIZE	SEE TABLE		DOCUMENT NO.	SD-104060-001																

0.5 FFC E/O DUAL CONTACT HOUSING ASS'Y

SD-104060-001

THIS DRAWING CONTAINS INFORMATION THAT IS PROPRIETARY TO MOLEX INCORPORATED AND SHOULD NOT BE USED WITHOUT WRITTEN PERMISSION

10 9 8 7 6 5 4 3 2 1

F

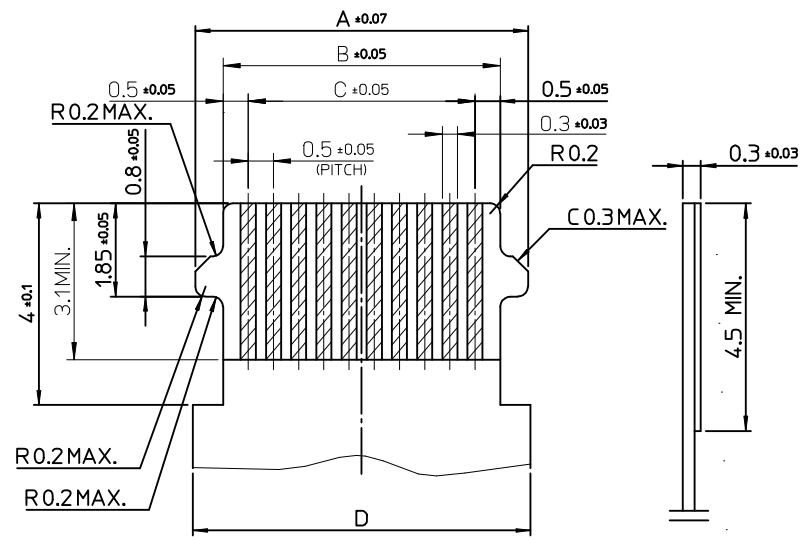
E

D

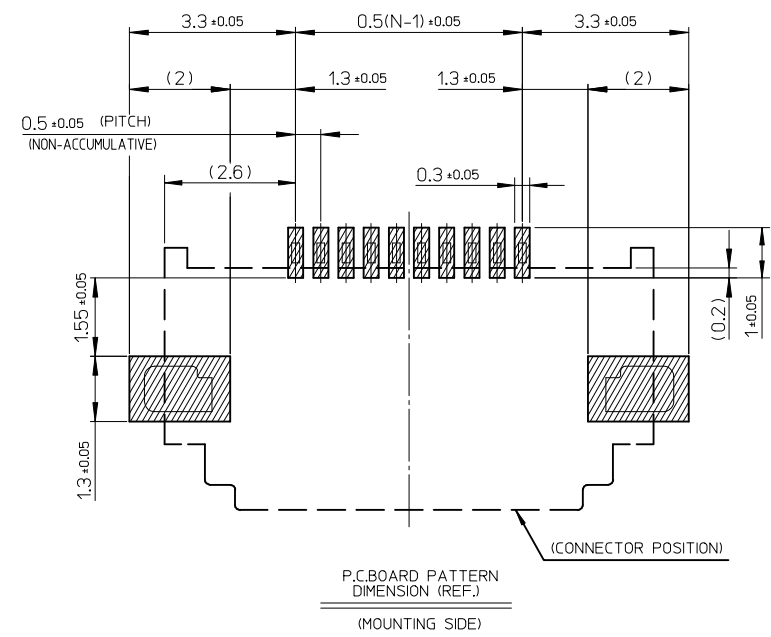
C

B

A



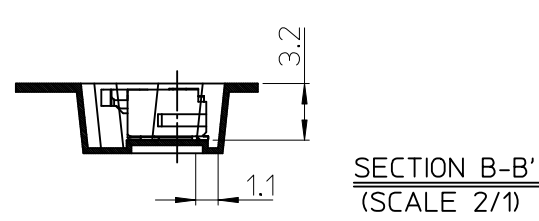
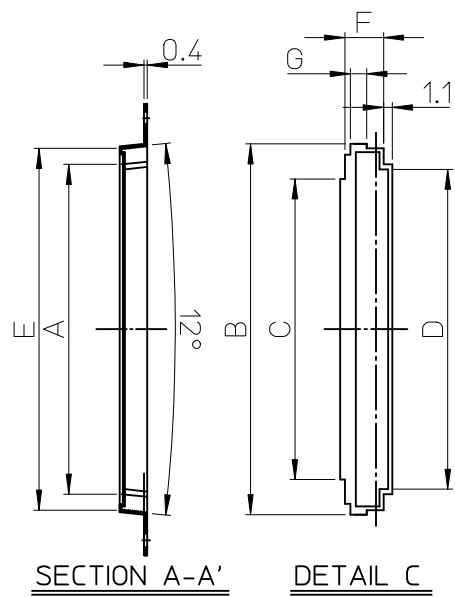
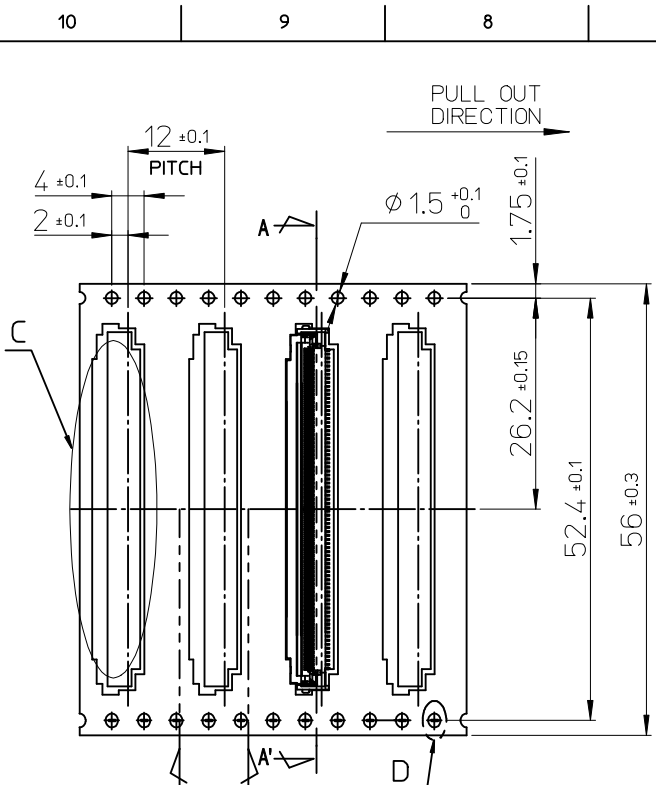
APPLICABLE FPC/FFC
RECOMMENDED DIMENSION



42.3	39.5	40.5	42.2	80
32.3	29.5	30.5	32.2	60
D	C	B	A	CIRCUIT

REVISED EC NO: KOR2016-0118 DRWN:YRKIM 2016/05/27 CHKD:KSKIM 2016/05/30 APPR:YSKIM02 2016/05/31	QUALITY SYMBOLS	GENERAL TOLERANCES (UNLESS SPECIFIED)	DIMENSION STYLE	SCALE	DESIGN UNITS	THIRD ANGLE PROJECTION
	$\nabla = 0$ $\sphericalangle = 0$	mm INCH	MM ONLY	1:1	METRIC	
	4 PLACES \pm --- \pm --- 3 PLACES \pm --- \pm --- 2 PLACES \pm --- \pm --- 1 PLACE ± 0.3 \pm --- ANGULAR $\pm 1^\circ$	DRAWN BY: YR.KIM CHECKED BY: YS00.KIM APPROVED BY: YS00.KIM DATE: 2009/06/26 DATE: 2009/06/26 DATE: 2009/06/26	TITLE 0.5 FFC E/O DUAL CONTACT HOUSING ASS'Y			
	DRAFT WHERE APPLICABLE MUST REMAIN WITHIN DIMENSIONS	MATERIAL NO. SEE TABLE	MOLEX INCORPORATED DOCUMENT NO. SD-104060-001			

9 8 7 6 5 4 3 2 1



NOTES

- NUMBER OF CONNECTORS : 2,400PCS/REEL
- LEAD TAPE LENGTH

4.5 ±10

10~20PCS MIN. (NUMBER OF EMPTY PART)

PULL OUT DIRECTION

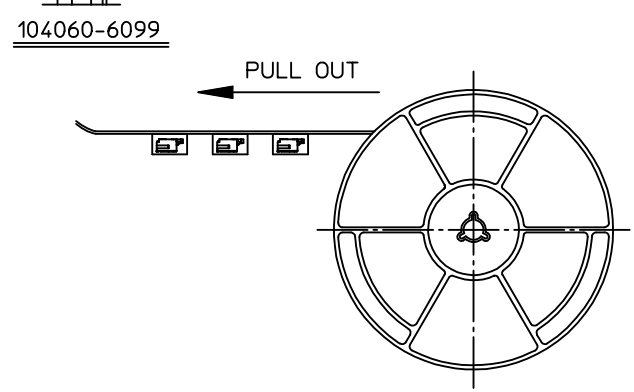
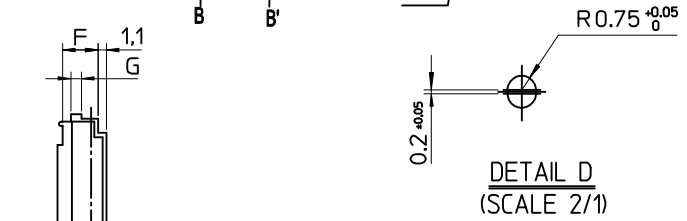
TOP TAPE LEADER PART 400 MIN.

COMPONENT SUPPLIER

TAIL PART (EMPTY) 20~30 PCS
- FOR DIMENSIONS OF PRODUCT, REFER TO SD-104060-001.
- MATERIAL
 CARRIER TAPE : POLYETHYLENE TEREPHTHALATE
 TOP TAPE : POLYETHYLENE TEREPHTHALATE , POLYETHYLENE
 REEL : POLYSTYRENE<RECYCLE MATERIAL CONTAINED>
- ELV AND RoHS COMPLIANT
- PEELING OFF FORCE OF COVER TAPE : 0.1N~0.59N(10.2GF~60GF)
 (PEELING DIRECTION AS SHOW IN FOLLOW FIG.)
 PEELING OFF SPEED : 300mm/Min.(Ref.)

PULL OUT DIRECTION

PEEL OFF DIRECTION



35902-0021	104060-8099	2.0	4.8	44.9	39.7	37.3	46	44.9	104060-8017	80
35902-0021	104060-6099	1.4	4.7	34.65	29.7	27.7	35.8	30.9	104060-6017	60
COVER TAPE	EMBOSS TAPE	G	F	E	D	C	B	A	MATERIAL NO.	CIRCUIT

REVISED EC NO: KOR2016-0118 DRWN:YRKIM 2016/05/27 CHKD:SKIM 2016/05/30 APPR:YSKIM02 2016/05/31	QUALITY SYMBOLS	GENERAL TOLERANCES (UNLESS SPECIFIED)	DIMENSION STYLE	SCALE	DESIGN UNITS	THIRD ANGLE PROJECTION
	▽=0	mm INCH	MM ONLY	10:1	METRIC	☉ □
	◻=0	4 PLACES ± --- ± ---	DRAWN BY DATE	TITLE		
		3 PLACES ± --- ± ---	YR.KIM 2009/06/26	0.5 FFC E/O DUAL CONTACT HOUSING ASS'Y		
	2 PLACES ± --- ± ---	CHECKED BY DATE	MOLEX INCORPORATED			
	1 PLACE ± 0.3 ± ---	YS00.KIM 2009/06/26	SD-104060-001			
	ANGULAR ± 1°	APPROVED BY DATE	DOCUMENT NO.			
		YS00.KIM 2009/06/26	SHEET NO.			
		MATERIAL NO.	3 OF 3			
		SEE TABLE	THIS DRAWING CONTAINS INFORMATION THAT IS PROPRIETARY TO MOLEX INCORPORATED AND SHOULD NOT BE USED WITHOUT WRITTEN PERMISSION			