

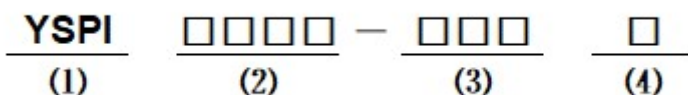
**■ Features**

- Molding Inductor.
- Low Profile,Low Temp.
- Large Current(Over 15A).
- Customize For Different Need.
- Operating temperature:-40℃ ~ +125℃.

**■ Applications**

- General Electronic.
- Video Device,TV,TFT.
- Power Module for PC.
- NB/Lap Top Computer.
- Server,VGA Card/Module.

**■ Product Identification**



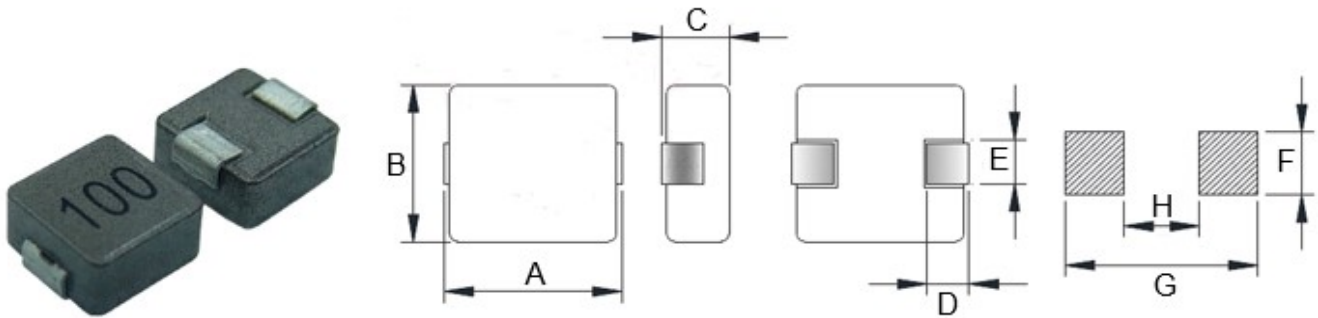
(1) : Type

(2) : Dimensions

(3) : Inductance value

(4) : Inductance Tolerance: N=±30%,M=±20%, K=±10%

## ■ Shapes and Dimensions (Unit: mm)



TYPE	A	B	C Max.	D	E Ref.	F Ref.	G Ref.	H Ref.
YSPI1040	11.5±0.5	10.0±0.5	4.0	2.0±0.5	3.0±0.5	4.1	13.6	5.4

## ■ YSPI1040 Series

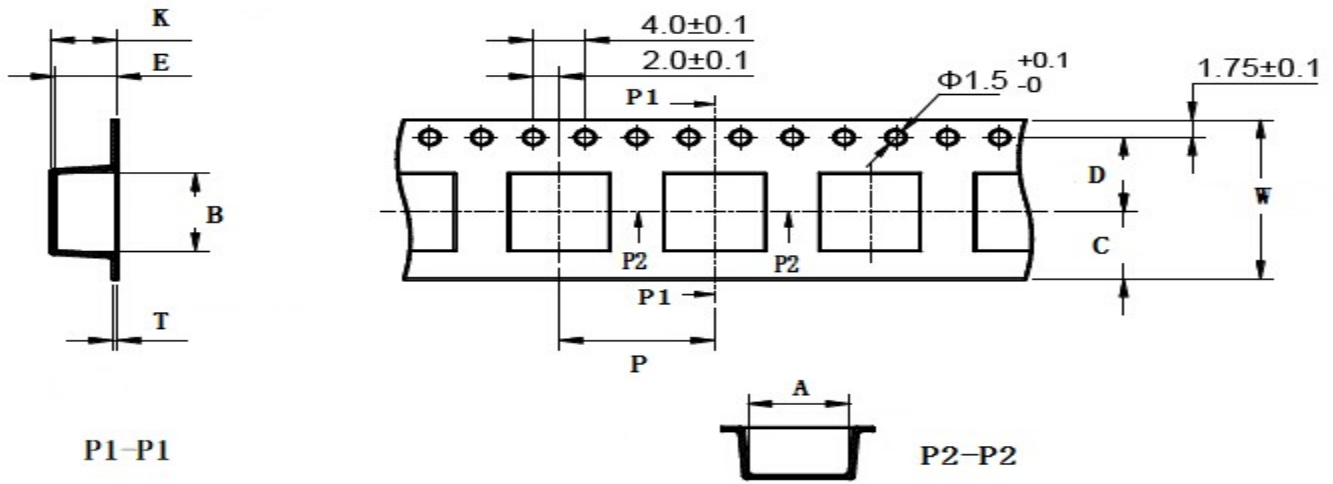
Part Number	Inductance (uH) @100KHz	DC Resistance (mΩ)		Heat Rating Current (A)	Saturation Current (A)
		Typ.	Max.		
YSPI1040-R19□	0.19	0.70	0.80	38.0	60.0
YSPI1040-R22□	0.22	0.60	0.80	35.0	45.0
YSPI1040-R36□	0.36	1.70	2.20	34.0	42.0
YSPI1040-R47□	0.47	2.60	3.30	33.0	38.0
YSPI1040-R56□	0.56	2.60	3.30	25.0	33.0
YSPI1040-R68□	0.68	2.70	3.50	27.0	30.0
YSPI1040-1R0□	1.00	3.00	3.30	20.0	26.0
YSPI1040-1R5□	1.50	3.80	4.20	16.0	22.0
YSPI1040-2R2□	2.20	6.00	7.00	14.0	16.0
YSPI1040-3R3□	3.30	10.80	11.80	11.0	12.0
YSPI1040-4R7□	4.70	14.50	19.00	9.0	12.0
YSPI1040-5R6□	5.60	20.00	23.00	7.5	14.0
YSPI1040-6R8□	6.80	22.50	25.00	6.0	10

## ■ YSPI1040 Series

Part Number	Inductance (uH) @100KHz	DC Resistance (mΩ)		Heat Rating Current (A)	Saturation Current (A)
		Typ.	Max.		
YSPI1040-8R2□	8.20	25.00	30.00	6.0	9.0
YSPI1040-100□	10.0	27.50	30.00	5.5	7.0
YSPI1040-150□	15.0	53.00	70.00	5.2	6.0
YSPI1040-220□	22.0	73.00	92.00	5.0	5.5
YSPI1040-330□	33.0	136	177	3.2	5.0
YSPI1040-470□	47.0	145	180	2.8	4.5
YSPI1040-680□	68.0	176	195	2.5	2.6
YSPI1040-101□	100	254	300	1.5	2.0

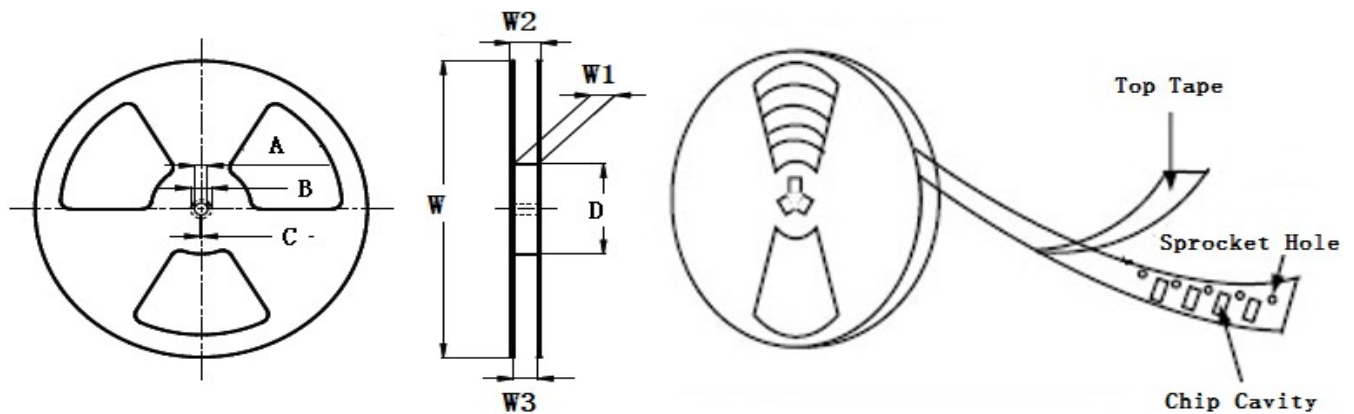
- ※ The saturation current value is the DC current value having inductance decrease down to 30%.(at 20°C)
- ※ The temperature rise current value is the DC current value having temperature increase up to 40°C. (at 20°C)
- ※ The rated current is the DC current value that satisfies both of current value saturation current value and temperature rise current value.

**■ Taping Dimensions(Unit:mm)**



TYPE	W	A	B	C	D	E	P	K Ref	T	MPQ
YSPI1040	24±0.3	10.6±0.1	11.45±0.1	10.75	11.5±0.1	4.4±0.1	16±0.1	4.2	0.40±0.05	500

**■ Reel Dimensions(Unit:mm)**

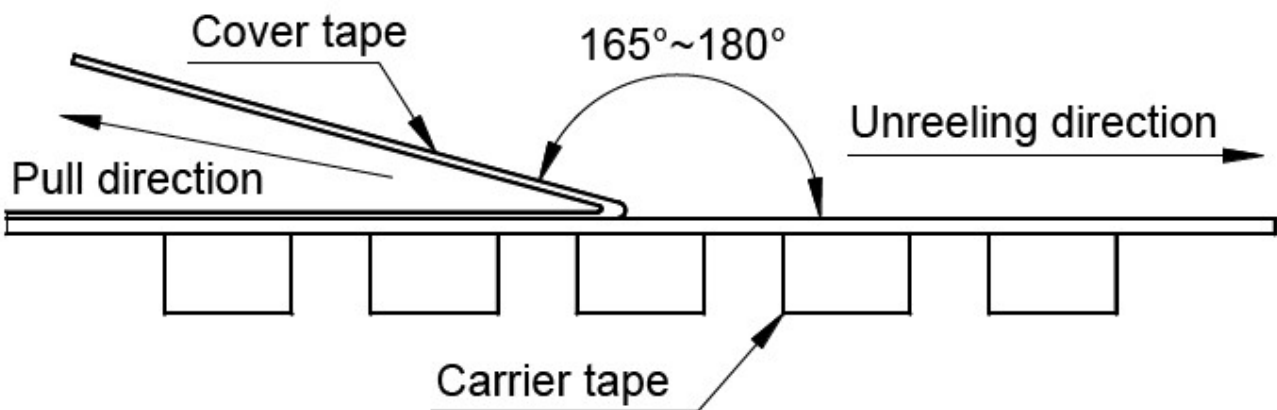


TYPE	W	W1	W2	W3	A	B	C	D
YSPI1040	330±2.0	24.4±1.5	30.4MAX	23.9 Min	13.0±0.50	21.0±0.80	2.0±0.50	100 Min

**Direction of rolling**



**Cover tape peel off condition**



Cover tape peel force shall be 0.1N to 1.3N.

Reference peel speed  $300 \pm 10$ mm/min.